

SKALS

- we'll sort it out!

Length grader

Type: LS 1404

Length grading of carrots



Functions

- 3 / 4 sizes / lengths
- Waste removal
- Individually adjustment of sizes
- Inlet w. even flow functionality
- Driven by two eccentric mass vibrating motors
- Stainless steel corrugated trays

Options

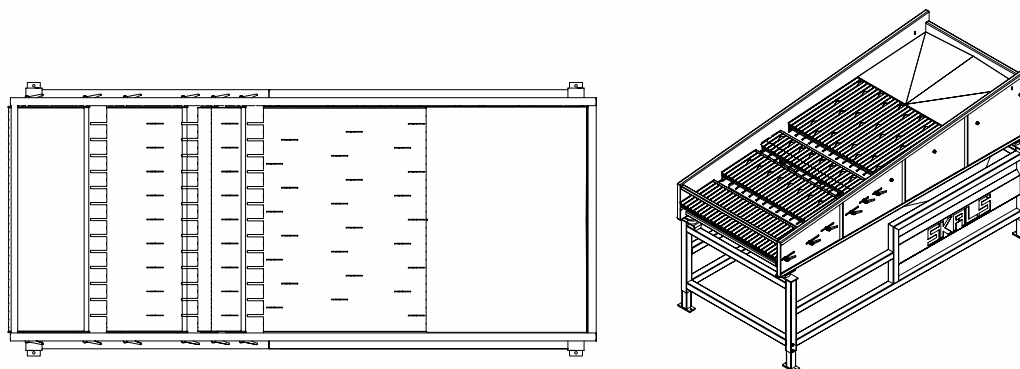
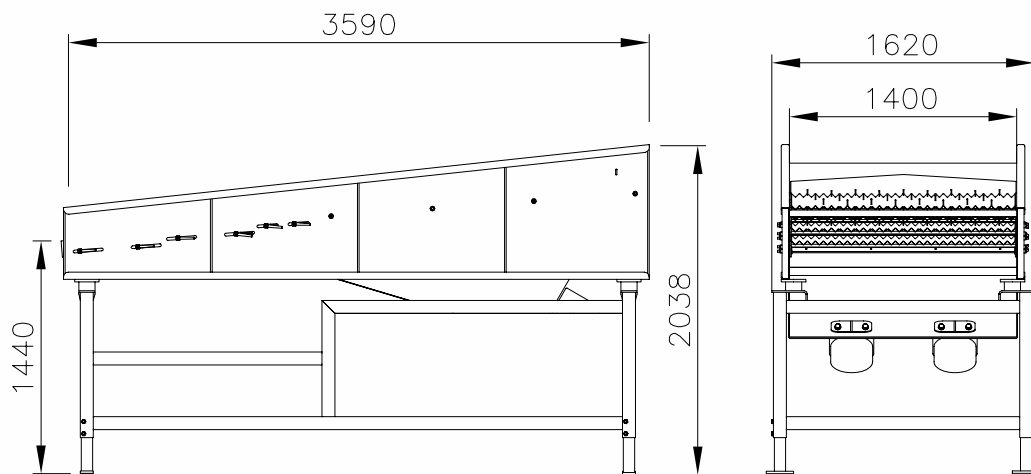
- Customized sub frame
- Cross conveyors for outlet to boxes etc.

Variants

- LS 1403 – 1400 mm wide, 3 sizes
- LS 1404 – 1400 mm wide, 4 sizes



A/S Skals Maskinfabrik
Hovedgaden 56 • DK-8832 Skals
tlf. +45 87 25 62 00 • fax. +45 86 69 49 99
skals@skals.dk • www.skals.dk • CVR / VAT 17 21 80 18



type	LS1404
Кapacitet. Capacity. Stundenleistung:	10 t/h
Motor:	2 x 1,2 kW
Arb. Brd., work. width, Arbeitsbreite:	1400 mm
Sorteringer, Gradings, Sortierungen:	Affald, waste, Abfall + 3

тип машины	LS 1404
производит-сть	10 тн/час
мотор	2 x 1,2 кВт
рабочая ширина	1400 мм
количество фракций	отход + 3