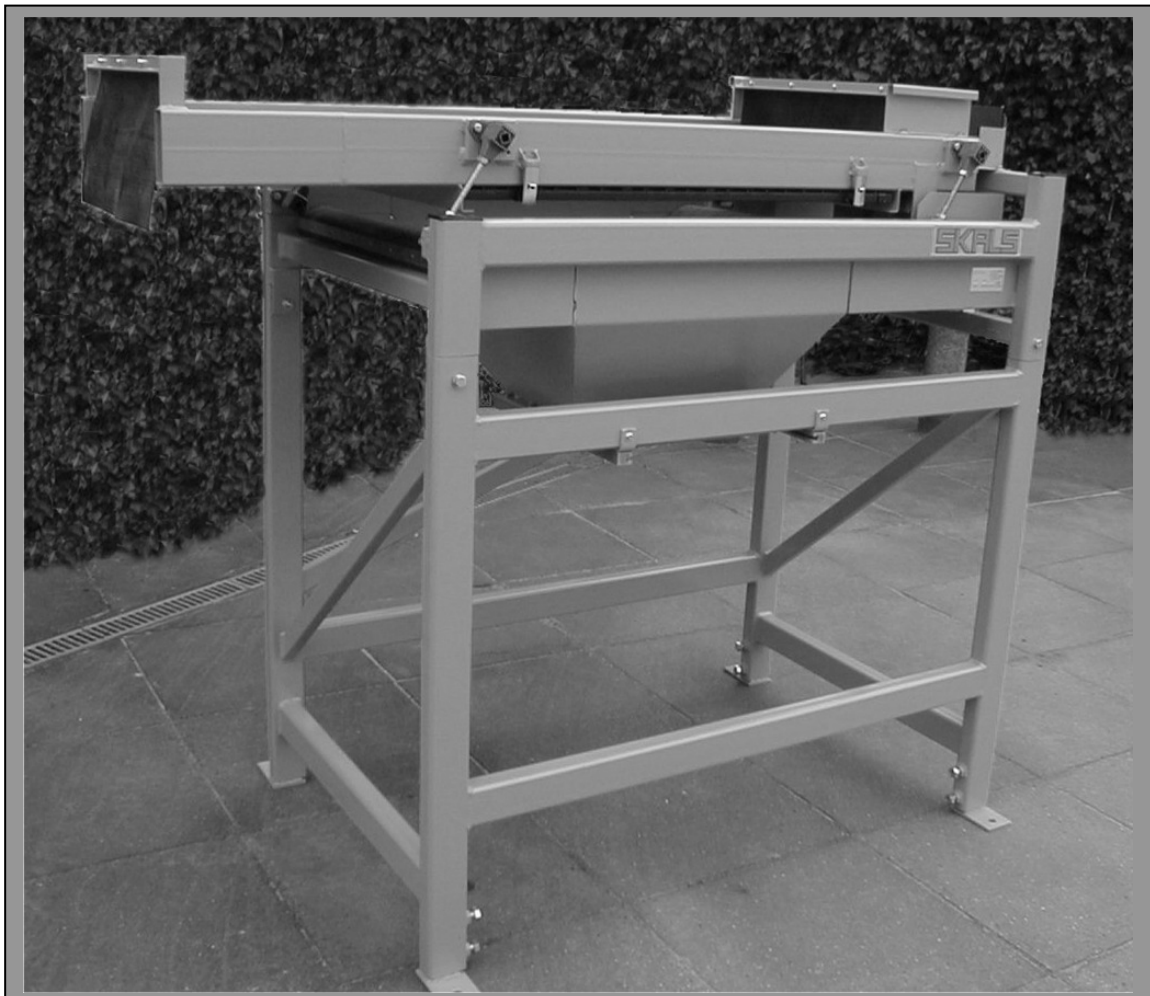


INSTRUCTION MANUAL

Pre-sorter type SK602/902



A/S SKALS MASKINFABRIK
HOVEDGADEN 56
DK-8832 SKALS, DENMARK
Tlf.: +45 87 25 62 00
Fax: +45 86 69 49 99
E-mail: Skals@skals.DK
<http://www.skals.dk/>



Contents

1.0	Purpose and scope of operations	2
2.0	Installation	2
3.0	Accessories	2
4.0	Operation	2
5.0	Lubrication and maintenance	3
5.1	Cleaning the machine	3
6.0	Packing and transport information	4
7.0	Transport and lifting instructions	4
8.0	Spare parts	5
9.0	EU Declaration of Conformity	7

1.0 Purpose and scope of operations

The pre-sorter's primary function is to screen undersized product, sand and earth from potatoes, onions, carrots and similar products.

The machine is designed to operate within the following temperature range: -15°C to +40°C.

2.0 Installation

It is imperative that the sorter stands upright and absolutely level, supported evenly on all four legs. This will ensure a steady and vibration free operation.

Before commencing operation it is essential to check that all bolts, nuts and screws are properly tightened.

Connect the electrical supply in accordance with local regulations.

Connect the electricity supply through a motor protection relay which corresponds to the size of the motor.

Check that the direction of flow is correct. If the direction of flow is not correct, switch 2 phases in the power supply.

3.0 Accessories

The standard variant of the machine is delivered with motor and 1 riddle.

If required, pre-sorter SK602/902 can be supplied with the following accessories:

1. Feeder chute (if the outlet chute on the previous machine in the sequence cannot be utilised).
2. Supports as required.
3. Rear outlet chute. (the screened debris is discarded to the rear into boxes or similar)
4. Side-mounted chute. (the screened debris is discarded to one side into boxes or similar)
5. Conveyor. (the screened debris is removed by conveyor to one side into boxes or similar)
6. Guide for conveyor or side outlet.

4.0 Operation

Check before starting the machine that the pre-sorter is correctly placed in relation to other machines in the production sequence.

Riddle replacement is carried out by loosening the four clasps, pressing down on the pawl in the centre of the clasp and lifting the handle outwards. The riddles can then be replaced and the riddle holders pressed into place again.

5.0 Lubrication and maintenance.

All bearings are lubricated for life and need no further maintenance, although after high pressure cleaning, all bearings must be lubricated with bearing grease.

Important!! Do not over grease as this could damage the bearing seals.

Grease type

CastrolLM NLGI 2.5

Keep the notched belt that drives the crank sufficiently tight by adjusting the motor support bolts. In order to maintain noiseless operation, regularly check that all nuts, bolts and screws are properly tightened.

5.1 Cleaning the machine

With reference to the Danish Plant Directorate's Order No. 965 of 13 December 1993 (p. 6).

- 2.3.3. Seed potato growers with contained propagation must clean and disinfect all sorting and ancillary equipment after each new variety. Disinfecting should be carried out using a product approved by The Danish Institute of Plant and Soil Science.
- 2.3.4. Companies authorised to sort potatoes and who also have the authorisation to propagate potatoes, must clean and disinfect sorting machinery etc. which is under the control of The Danish Plant Directorate before the sorting of own propagation is commenced. Disinfecting should be carried out using a product approved by The Danish Institute of Plant and Soil Science.
- 2.3.5. Premises and machinery etc. must be cleaned and disinfected each year before 30 June. Disinfecting must be carried out using a product approved by The Danish Institute of Plant and Soil Science.

In other countries, customers must conform to relevant, local food and hygiene regulations.

Cleaning with a high pressure cleaner requires that the following parts are securely covered:
Gearmotor, relay box and electrical control box.

In order to maintain effective production and keep maintenance costs at a minimum, regular lubrication, maintenance and cleaning are very important.

6.0 Packing and transport information

Packing / packaging:

All SK models are shrink wrapped prior to despatch from the factory.

Number of units:

The machine is packed complete as 1 unit.

Vægt:

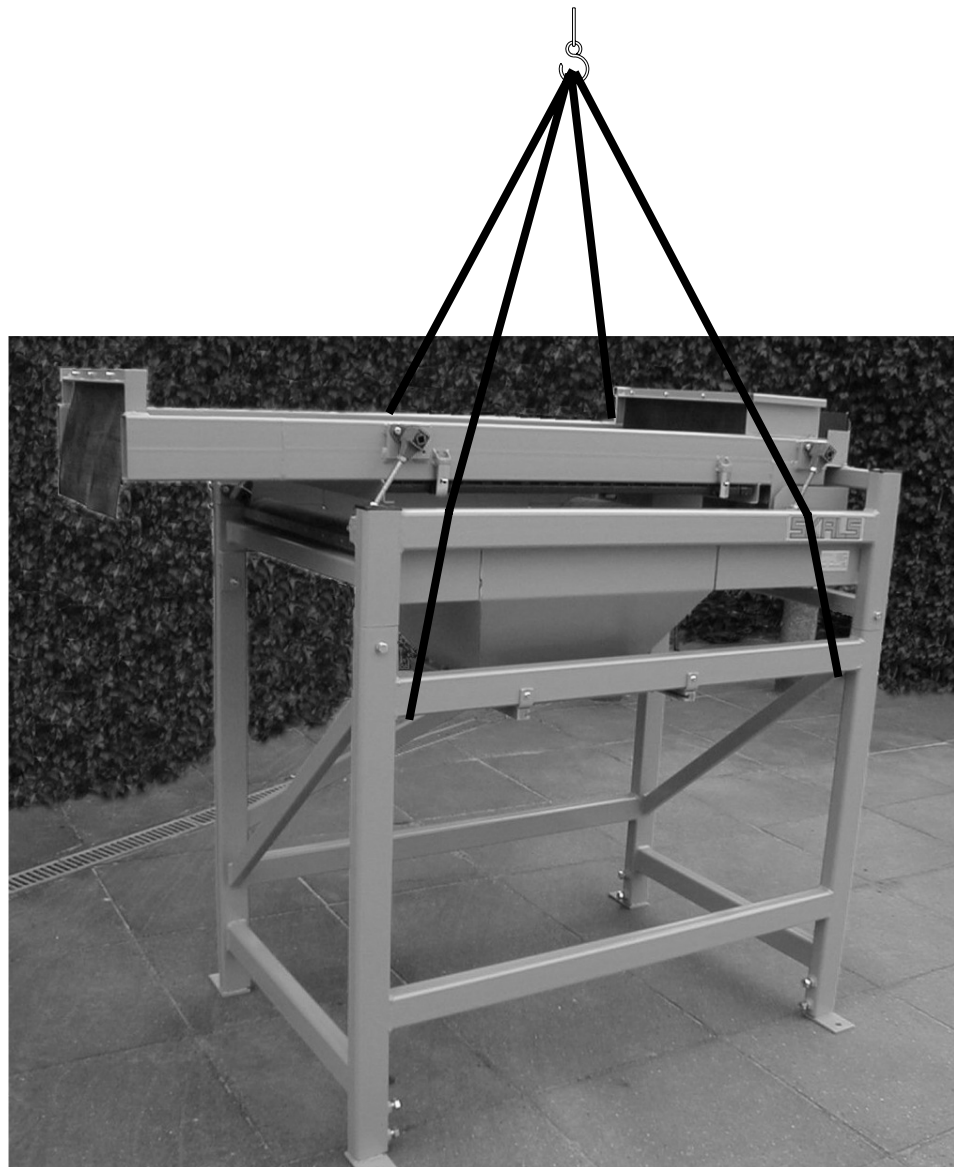
SK602: 120 kg

SK902: 150 kg

Dimension:	Length (without outlet)	Width (without outlet)	Height (without u.frame)
SK602	1620	930	500
SK902	1620	1230	500

7.0 Transport and lifting instructions.

Should it be necessary to lift the sorter, this **must** be carried out by using the nylon straps fitted to the sorter's four legs, as shown in the illustration below (fig. 1).



Figur 1

8.0 Spare parts

When ordering spares, state machine type, serial no. and, if possible, position no.

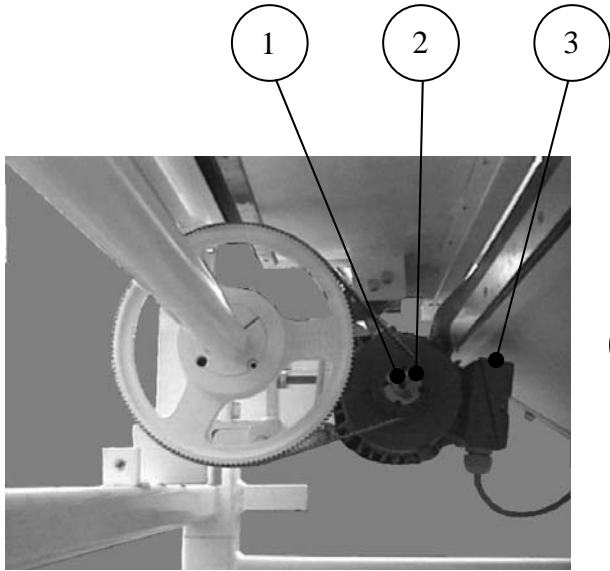


Fig. 2

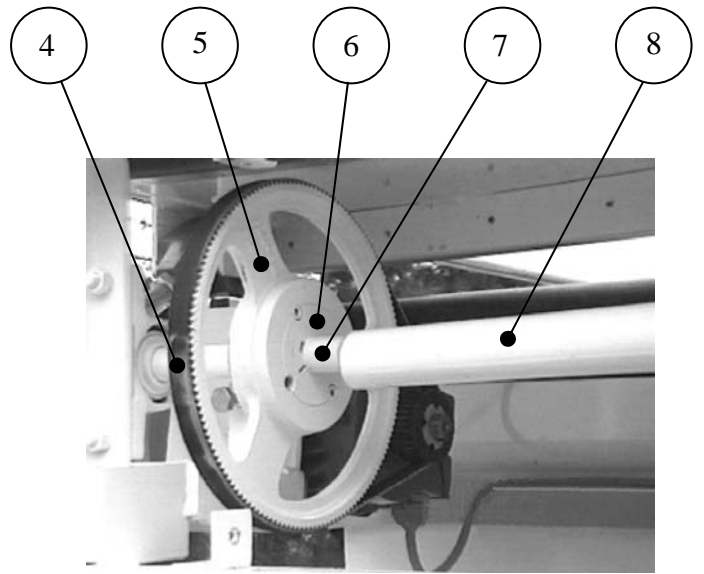


Fig. 3

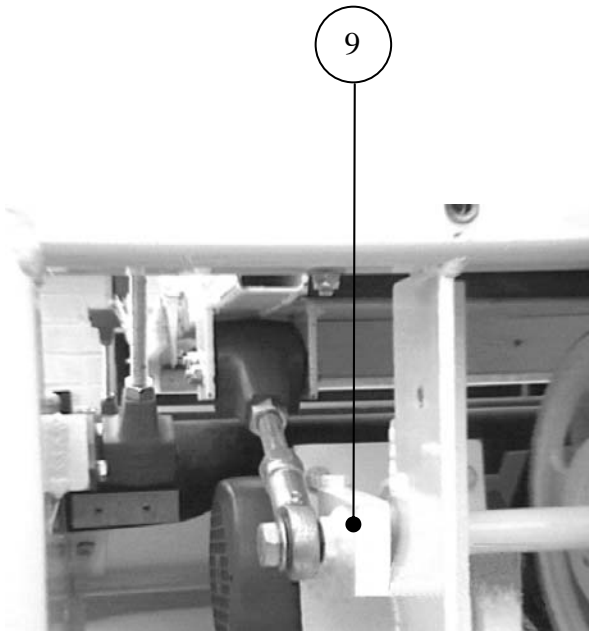


Fig. 4

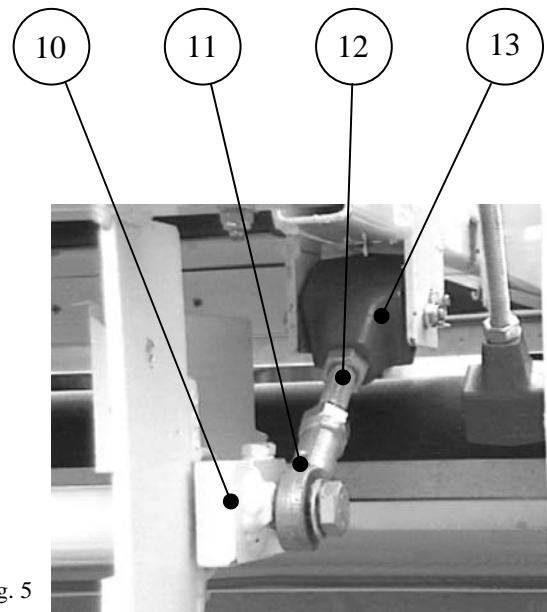


Fig. 5

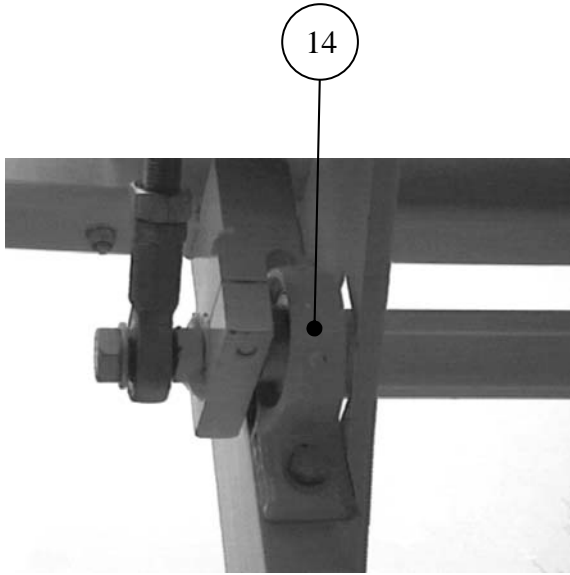


Fig. 6

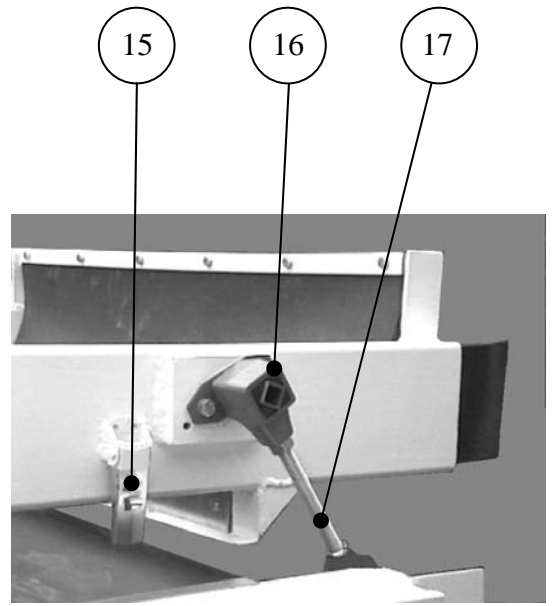


Fig. 7

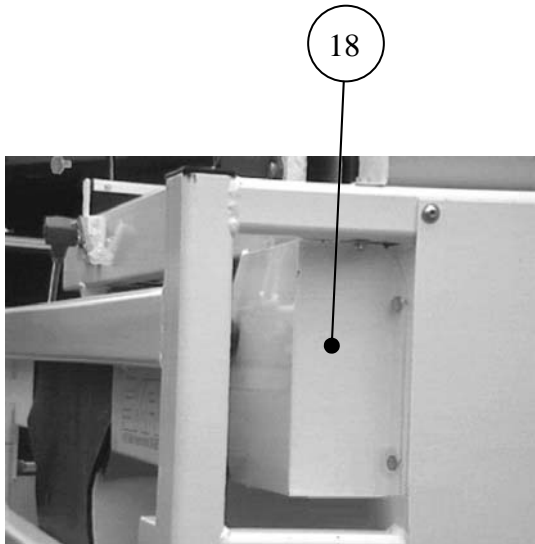


Fig. 8

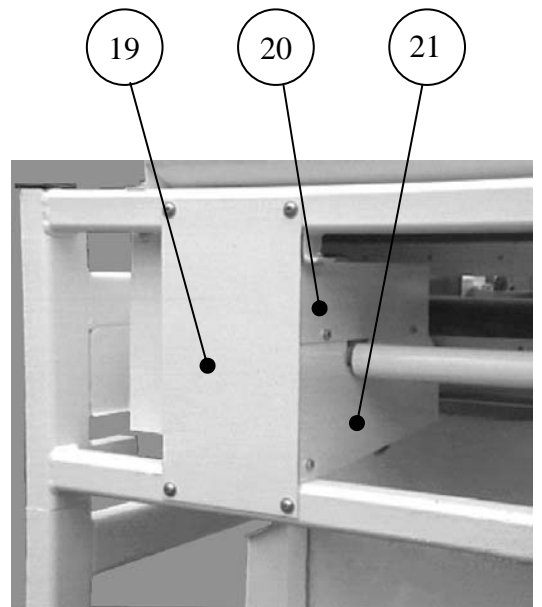


Fig. 9

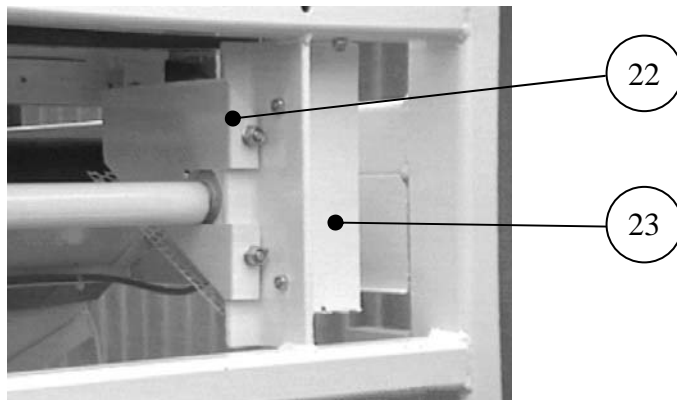


Fig. 10

Page	Fig. no.	Pos. no.	Description
5	2	1	Taper-lock bush
5	2	2	Toothed pulley
5	2	3	Motor
5	3	4	Toothed drive belt
5	3	5	Toothed pulley
5	3	6	Taper-lock bush
5	3	7	Axle
5	3	8	Shielding
5	4	9	Excenter
5	5	10	Excenter
5	5	11	Bearing mounting
5	5	12	Connecting rod
5	5	13	Rosta unit
6	6	14	Ball bearing
6	7	15	Riddle holder
6	7	16	Rosta unit
6	7	17	Connecting rod
6	8	18	Casing
6	9	19	Casing
6	9	20	Casing
6	9	21	Casing
6	9	22	Casing
6	10	23	Casing

9.0 Declaration of conformity with EU



Manufacturer	
Firm:	A/S Skals Maskinfabrik
Address:	Hovedgaden 56 8832 Skals, Denmark
Telephone:	87 25 62 00

declares herewith, that

Machine:	Presorter
Brand:	SK602 / 902
Type, serial no., year:	

Is manufactured in accordance with the decisions of the Councils Directives:

- 1 Machinery Safety – Directive 98/37/EC
- 2 Low Voltage Equipment Directive (LVD) 2006/95/EEC
- 3 Electromagnetic Compatibility (EMC) Directive 89/336/EEC and 93/68/EEC as amended.

Title:	Productions Manager
Name:	Søren Lund Madsen
Firm:	A/S Skals Maskinfabrik

Date: _____

Signed: _____

